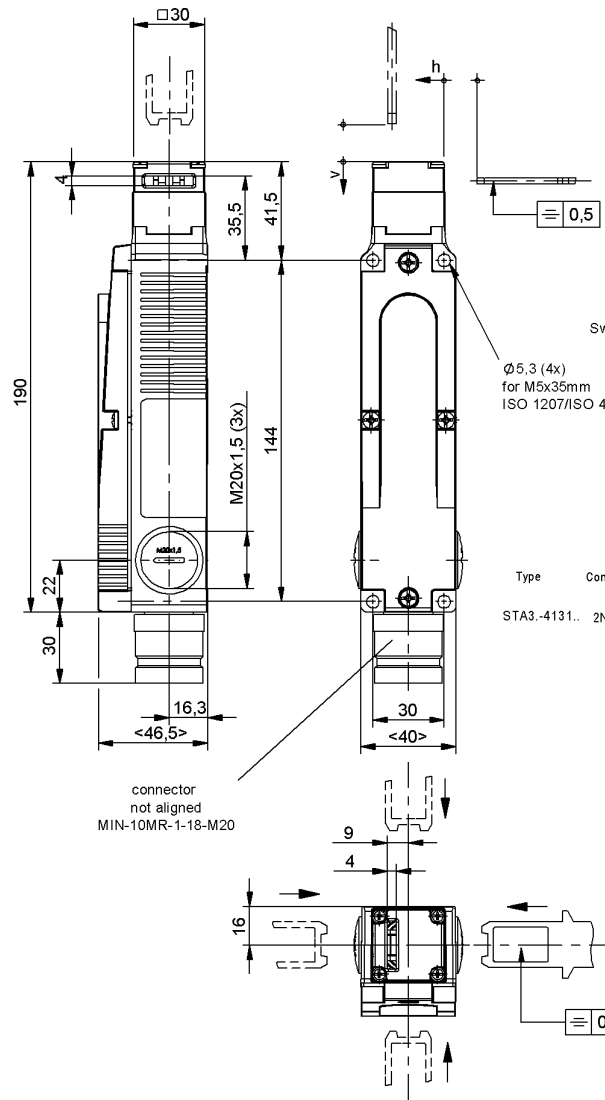
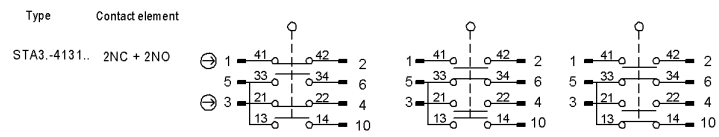
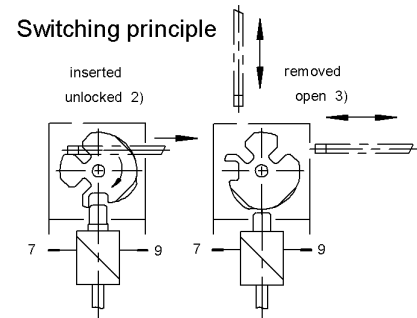
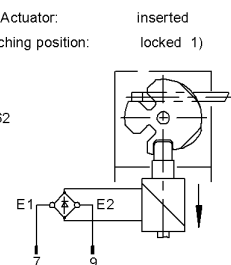


Technische Änderungen vorbehalten, alle Angaben ohne Gewähr / Subject to technical modifications no responsibility is accepted for the accuracy of this information. © EUCHNER GmbH + Co KG



Minimum Travel - overtravel	
Approach direction	Standard actuator
horizontal (h)	24,5 +5
vertical (v)	24,5 +5

The safety switch and actuator must be assembled for installation purposes.
The safety switch must not be used as an end stop.



Approach direction
The actuator head can be turned to be desired approach direction after undoing the fixing screws.
Please order actuator separately.

Technical Data

Please observe the operating instructions (in case of disagreement between data sheet and operating instructions, the information of the data sheet are to be considered)

Parameters	Value	Unit
Housing material	Reinforced thermoplastic	
Degree of protection according to IEC 60529	IP 65	
Installation position	any	
Mechanical service life	1x10 ⁶ Switching cycles	
Ambient temperature	-20 bis +80	°C
Approach speed max.	20	m/min.
Actuating- / extraction- / retention force	35 / 30 / 20	N
Locking force max.	3000	N
Locking force Fzh (incl. safety margin acc. to GS-ET-19)	2300	N
Locking methods	STA3: 1) Mechanically locked. 2) Unlocked by applying voltage. 3) Open if actuator is removed.	
Actuator inserted:		
Weight	approx. 0,5	kg
Solenoid operating voltage +10%	AC/DC 24	V
-15%		
Duty cycle	100	%
Connected load	8	W
Switching principle	Slow-action contact element	
Contact material	Silver alloy, gold flashed	
Type of connection/ cross-section	Screw terminal / 1,5 mm ²	
Rated insulation voltage Ui Type STP..M	50	V
Rated impulse withstand voltage Uimp Type STP..M	2,5	kV
Utilization category according to EN 60947-5-1	AC-15 4A 50V DC-13 4A 24V	
Switching voltage min. 10mA	12	V
Switching current min. at 24V	1	mA
Conventional thermal current Ith	4	A
Short circuit protection (control circuit fuse)	4A gG	